



Movexx **T1000-Clean Room**  
PARTS & OPTIONS

Aug. **2019**

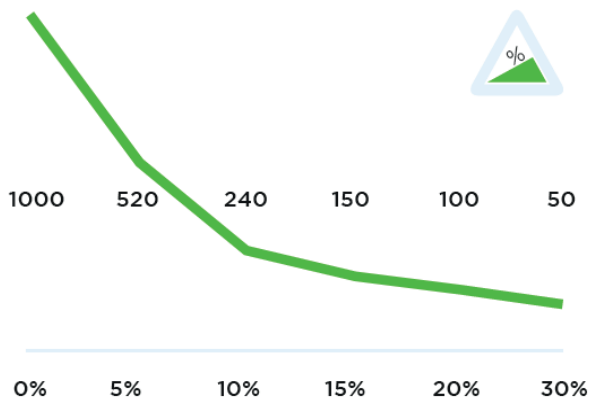
## Specifications

### Technical details

<b>Frame</b>	Stainless steel, glass pearl
<b>blastedMotor</b>	24V DC, 300W, 100 rpm
<b>Weight</b>	43 kg (incl. battery)
<b>Weight trailer</b>	Max. 1000 kg
<b>Battery</b>	Built in
<b>Speed Max.</b>	5 km/h, freely programmable
<b>Drive wheels</b>	Non marking full rubber Cleanroom, Ø 250x80mm
<b>Adze height</b>	1056mm
<b>Noise level</b>	63,8 dB
<b>To use from</b>	-10 °C / 40 °C
<b>Protection class</b>	Machine IP44

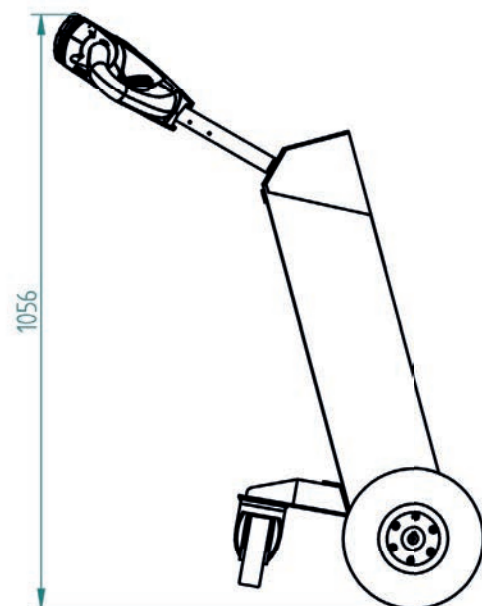
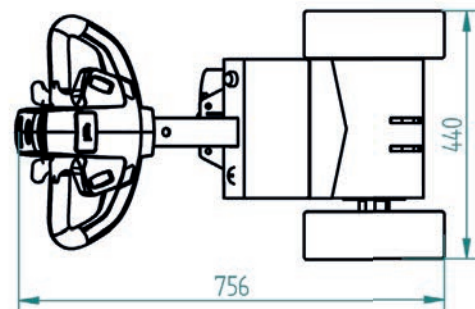
© 2019 Movexx International B.V. The images shown are used for illustration purposes only and may differ from the products indicated. No rights can therefore be derived from it. Printing errors are subjected to change.

## Pulling power (in kg)



Measured with a trolley with 2 swivel wheels and 2 fixed castors. Wheel Ø 160 mm.

## Dimensions



## Standard parts



Motor 300W / 100rpm  
(6911345X) without brake  
**Item number M1032**



Battery AGM-VRLA block  
12V / 22Ah  
**Item number M0076**



LED battery indicator  
**Item number M0123**



Charger (internal)  
AGM battery 24V / 5A  
+ external indicator  
**Item number M0246**



Drive wheel, Cleanroom  
full rubber, non-marking  
Gray Ø 250 x 80mm  
**Item number M0249**



Belly button RED  
**Item number M0121-BBUT**

## Standard parts



2 programmable speeds

## Options



Horn 90dB for  
stainless steel  
tiller head supp.  
**Item number OPT0414**



Horn 103dB  
**Item number OPT0059**

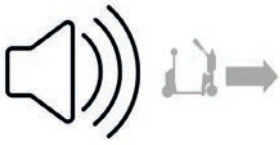


Emergency stop complete  
**Item number OPT0063**

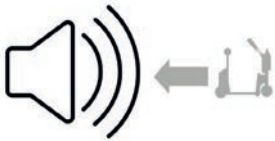


Strobe light for  
stainless steel  
tiller head supp.  
**Item number OPT0415**

## Options



Audio signal  
(while driving)  
**Item number OPT0253**



Audio signal  
(driving backward)  
**Item number OPT0254**



Electromagnetic  
parking brake  
**Item number OPT0004**



Counterweight (front)  
30kg stainless steel  
**Item number OPT0035**



Hour tracker  
**Item number OPT0056**



Antistatic strip  
**Item number OPT0058**

## Options



Code lock  
**Item number OPT0068**



Document holder for  
stainless steel  
tiller head supp.  
**Item number OPT0053**



Preparation electric hook  
**Item number OPT0143**



Protection for electric  
connection, stainless steel  
**Item no OPT0263-RVS**



On/off rotary switch  
**Item number OPT0016**



Parking floorlabel Ø 60 cm  
**Item number OPT0245**

## Options



Customized programming  
*Please indicate  
specific settings*  
**Item number OPT0170**



Programmer for Italsea  
**Item number D0003**



Urgent order purchase  
**Item number SPOED**

## Batteries & Chargers



Battery AGM-VRLA block  
12V / 22Ah  
**Item number M0076**



Charger (internal)  
AGM battery 24V / 5A  
+ external indicator  
**Item number M0246**

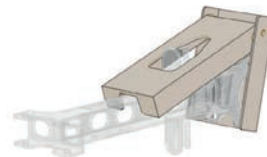
## Adapters



Base part hook 15°  
Stainless steel  
**Item number H7011**



Angle limitation hook 15°  
**Item number OPT0218**



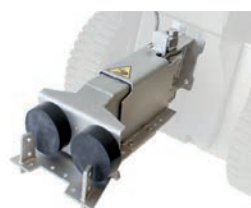
Hook locking system  
stainless steel  
**Item number OPT0012**



Electric lifting module  
for hook, stainless steel  
**Item nr OPT0050-RVS**



Electric locking module  
for hook  
**Item number OPT0129**



Clamping hook (HD), Inox  
(range: 0-100 mm)  
**Item number H0152-INOX**

## Adapters



Clamping hook  
(stainless steel)  
**Item number H0096**



HA245.55.45.0.0  
(stainless steel)  
**Item nr H0004 Clean Rm**



Vacuum hook  
for stainless steel trolley  
**Item number H0093**

## Most common spareparts



Belly button RED  
**Item number M0121-BBUT**



Switch buttons (2x) green  
**Item number M0121-KNOP-GROEN**



Switch tiller head  
excl. buttons  
**Item number M0121-FLIPPER**



Feather/shaft Throttle  
**Item number M0121-4**

## Most common spareparts



Battery AGM-VRLA block  
12V / 22Ah  
**Item number M0076**



Switch FAST/SLOW  
tiller head green  
**Item number M0121-SPEED-GROEN**



Charger (internal)  
AGM battery 24V / 5A  
+ external indicator  
**Item number M0246**



Switch ON/OFF  
tiller head green  
**Item number M0121-AANUIT-GROEN**



## Most common spareparts



Torsion spring for hook  
(stainless steel)  
**Item number M0117**



Tube for spring  
**Item number M0116-1**



Italsea drive controller  
in 24V / 36 bat,  
in 10A / I<sub>max</sub> 45A  
**Item number M1122**



Carbon brushes (set of 4)  
for Motor 300W  
**Item number M0186**



LED battery indicator  
(build-in)  
**Item number M0318**



Cable harness 3  
**Item number M1133**

## Most common spareparts



Chassis cable charger  
**Item no M0158-Stekker**



Fuse 5A  
**Item number M0506**



Fuse Maxi 40A  
**Item number M0254**



Drive wheel, Cleanroom  
full rubber, non marking  
Gray Ø 250 x 80 mm  
**Item number M0249**



Castor wheel  
Gray Ø 80 mm  
**Item number M0119**

# applications

