

Movexx **BM500R-FFC**  
OPTIONS & PARTS

Aug. **2019**

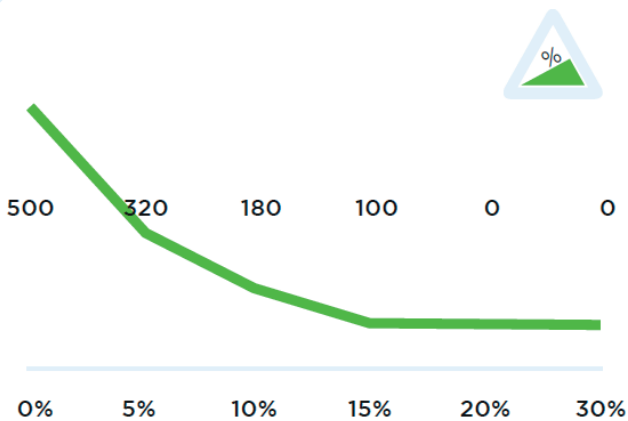
## Specifications

### Technical details

<b>Frame</b>	Steel, powder coated, RAL9007 (Gray Aluminium)
<b>Motor</b>	24V DC, 300W, 100 rpm
<b>Weight</b>	200 kg
<b>Weight trailer</b>	Max. 500 kg
<b>Battery</b>	Built in
<b>Speed Max.</b>	5 km/h, freely programmable
<b>Drive wheels</b>	Full rubber, non-marking Ø 250 x 80mm
<b>Adze height</b>	770-1200 mm (variable)
<b>Folded</b>	770 mm
<b>Noise level</b>	63,8 dB
<b>To use from</b>	-10 °C / 40 °C
<b>Protection class</b>	Machine IP44
<b>Hook position</b>	Footboard

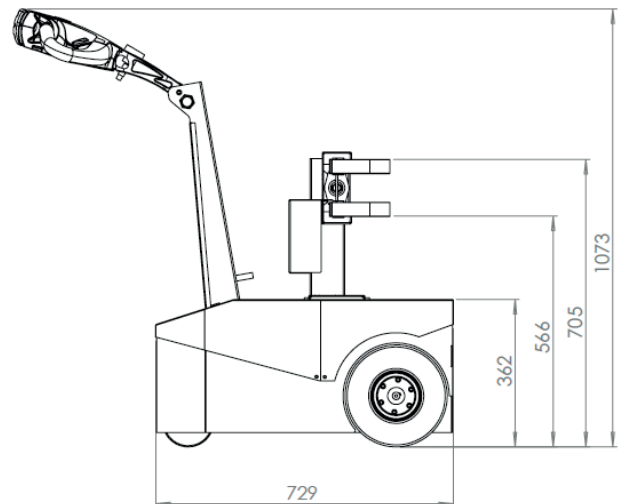
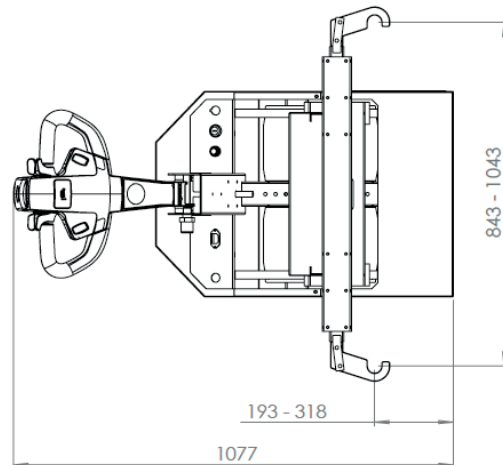
© 2019 Movexx International B.V. The images shown are used for illustration purposes only and may differ from the products indicated. No rights can therefore be derived from it. Printing errors are subjected to change.

## Pulling power (in kg)



Measured with a trolley with 2 swivel wheels and 2 fixed castors. Wheel Ø 160 mm.

## Dimensions



## Standard parts



Motor 300W / 100rpm  
(6911393E) with brake  
**Item number M1033**



Battery AGM-VRLA block  
12V / 22Ah  
**Item number M0076**



LED battery indicator  
**Item number M0123**



Charger (internal)  
AGM battery 24V / 5A  
+ external indicator  
**Item number M0246**



Radio remote control  
**Item number M0442**



Drive wheel  
Full rubber, non-marking  
Gray Ø 250 x 80 mm  
**Item number M0115**

## Standard parts



Castor wheel  
Gray Ø 125 mm  
**Item number M0120**



Adjustable tiller head  
**Item no M1002-0100**



Belly button RED  
**Item number M0121-BBUT**



2 programmable speeds

## Options



Extra plug to recharge  
the battery  
*for on-machine battery  
charging*  
**Item number OPT0001**

## Options



Horn 90dB for  
cast iron tiller head supp.  
M1002  
**Item number OPT0045**



Horn 90dB for  
steel tiller head supp.  
M1002-0100  
**Item number OPT0057**



Horn 103dB  
**Item number OPT0059**



Emergency stop complete  
**Item number OPT0063**

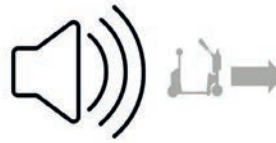


Strobe light for  
cast iron tiller head supp.  
M1002  
**Item number OPT0076**

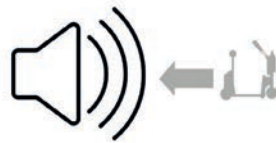


Strobe light for  
steel tiller head supp.  
M1002-0100  
**Item number OPT0065**

## Options



Audio signal  
(while driving)  
**Item number OPT0253**



Audio signal  
(driving backward)  
**Item number OPT0254**



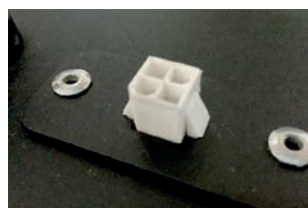
Hour tracker  
**Item number OPT0056**



Antistatic strip  
**Item number OPT0058**



Code lock  
**Item number OPT0068**



Diagnostic connector  
**Item number OPT0270**

## Options



Ignition key (unequal)  
**Item number OPT0145**



Ignition key 701 (equal)  
**Item number OPT0146**



On/off rotary switch  
**Item number OPT0016**



Parking floorlabel Ø 60 cm  
**Item number OPT0245**



Customized programming  
*Please indicate specific settings*  
**Item number OPT0170**



Programmer for Italsea  
**Item number D0003**

## Options



Urgent order purchase  
**Item number SPOED**

## Batteries and Chargers



Battery AGM-VRLA block  
12V / 22Ah  
**Item number M0076**



Charger (internal) for  
AGM battery, 24V / 5A  
+ external indicator  
**Item number M0246**

## Most common spareparts



Battery AGM-VRLA block  
12V / 22Ah  
**Item number M0076**

## Most common spareparts



Charger (internal)  
AGM battery 24V / 5A  
+ external indicator  
**Item number M0246**



Battery guide  
(stainless steel)  
**Item number M0482**



Battery connector SB50  
**Item number M0105**



Belly button RED  
**Item number M0121-BBUT**



Switch buttons (2x) green  
**Item number M0121-KNOP-GROEN**



Switch tiller head  
excl. buttons  
**Item number M0121-FLIPPER**

## Most common spareparts



Feather/shaft Throttle  
**Item number M0121-4**



Switch FAST/SLOW  
tiller head green  
**Item number M0121-SPEED-GROEN**



Switch ON/OFF  
tiller head green  
**Item number M0121-AANUIT-GROEN**



Plain sleeve bearing  
Ø8 / 12 x 6, 16 x 2 mm  
**Item number M4038**



Locking pin  
M16 x 1,5 mm  
**Item number M0001**



Coverplate tiller head  
**Item number M0898**



## Most common spareparts



Italsea drive controller  
in 24V / 36 bat,  
in 10A / I<sub>max</sub> 45A  
**Item number M1122**



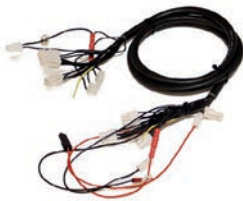
Carbon brushes (set of 4)  
for Motor 300W  
**Item number M0186**



LED battery indicator  
(build-in)  
**Item number M0318**



LED battery indicator  
**Item number M0123**



Cable harness complete  
**Item number M1127-M050**



Chassis cable charger  
**Item no M0158-Stecker**

## Most common spareparts



Fuse 5A  
**Item number M0506**



Fuse Maxi 40A  
**Item number M0254**



Drive wheel  
Full rubber, non-marking  
Gray Ø 250 x 80 mm  
**Item number M0115**



**€ 39,—**

Castor wheel  
Gray Ø 125 mm  
**Item number M0120**

# applications



**moveXX**  
driven by brain power

Generatorstraat 17-19  
3903 LH Veenendaal  
The Netherlands

T +31 (0)318 519900  
E info@movexx.com  
W www.movexx.com

