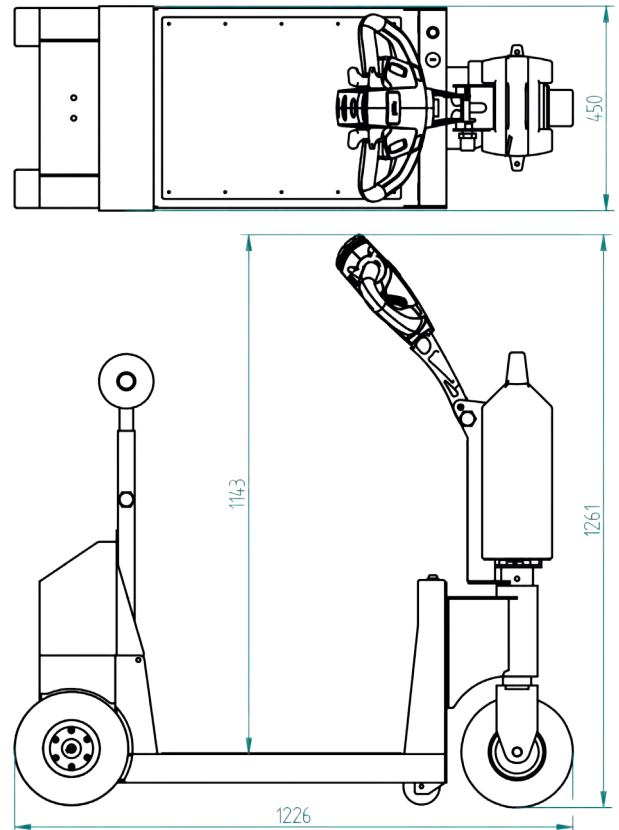




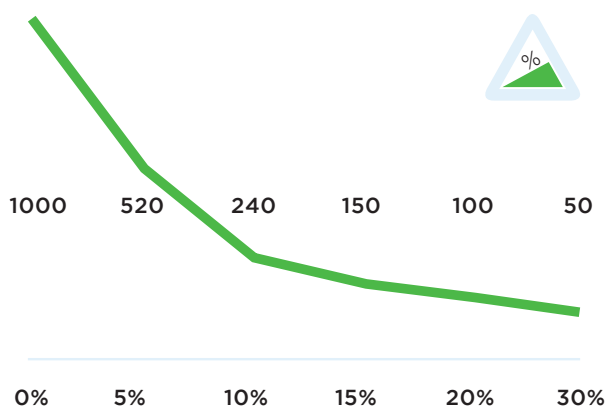
Specifications T1000-PLATFORM RVS

Frame	Stainless steel, glass pearl blasted
Drive	24V DC, 300W, 100 rpm
Weight	70 kg
Weight trailer	1000 kg
Battery	Exchangable batterypack
Speed	Max. 6,6 km/h
Drive wheels	Full rubber ø250x80 mm
Width	450mm
Length	1226mm
Adze height	750-1261mm
Folded	900mm
Noise level	63,8 dB
To use from	-40 °C / 70 °C
Protection class	Machine IP44

Dimensions T1000-PLATFORM RVS



Pulling power T1000-PLATFORM RVS (in kg)



*Measured with a trolley with 2 swivelwheels and 2 fixed castors. Wheel diameter: 160mm

Standard T1000-PLATFORM RVS



Standard parts T1000-PLATFORM RVS

Battery charger Lithium
29,4V-10A



Item number:
OPT0013

Battery Lithium-LiFePO4,
36Ah GREEN



Item number:
OPT0106

Non-marking driving
wheel (full-rubber)



Item number:
M0249

Adjustable tillerhead



Item number:
Standardpart 1

2 programmable speeds



Item number:
Standardpart 3

Standard parts T1000-PLATFORM RVS

Engine 420W 140RPM
BRAKE 6911439X



Item number:
M1034

LED battery indicator
LBF318-24V



Item number:
M0123

Options T1000-PLATFORM RVS



Motor 530W 170RPM+-
REM instead 420W

Article number:
OPT0025



Battery Lithium-LiFePO4,
36Ah GREEN

Article number:
OPT0106



Emergency stop complete

Article number:
OPT0063



Acoustic signal driving
backwards

Article number:
OPT0254



Strobelight T1000-PLAT-
FORM stainl. steel

Article number:
OPT0426



Document holder with
clip

Article number:
OPT0053



hour counter complete

Article number:
OPT0056



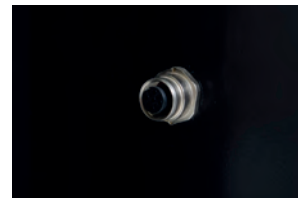
Antistatic strip

Article number:
OPT0058



Code lock

Article number:
OPT0068



Preparation electric hook

Article number:
OPT0143



Ignition key unequal key

Article number:
OPT0145



Ignition key equal key 701

Article number:
OPT0146

Options T1000-PLATFORM RVS

Customized programming



please indicate specific settings

Article number:
OPT0170

Programmer for Italsea



Article number:
D0003

Charging Station for 1 Lithium battery



Wallmounting chargerstation with lithium battery charger 29,2 V, 10 A

Article number:
OPT0023

Charging station for 5 Lithium batteries



Article number:
OPT0029

Stainless charger for 5 batteries



Article number:
OPT0039-RVS

Upgrade to charging station



Article number:
OPT0261

Base part hook 90°



Article number:
H7030

Base part 90° manual control st. steel



Article number:
H7091

Customized Hook



Please complete corresponding sheet (!)

Article number:
HA5000

Hook locking system



Article number:
OPT0012

Lifting module for Hooks stainless steel



Article number:
OPT0050-RVS

Movexx Parking label



Article number:
OPT0245

Options T1000-PLATFORM RVS



HA245.55.45.0.0 (RVS)

Article number:
H0004 CLEAN RM



Pen for drawbar Ø16mm
stainless steel

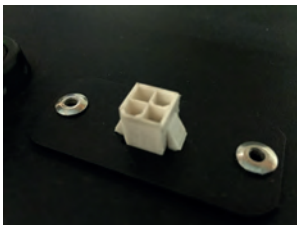
Article number:
H0069



Angle limitation

Stainless steel

Article number:
OPT0244



Diagnostic connector

Article number:
OPT0270



Detection matt for PLAT-
FORM machine

Article number:
OPT0334



Charging station replace-
ment battery wit

Article number:
OPT0339



Treadplate rubber
T1000-PLATFORM

Article number:
OPT0383



LED lights front and rear
(1)

Article number:
OPT0393



LED lights front and rear
(2)

Article number:
OPT0397



Movexx International B.V.

Generatorstraat 17

3903 LH Veenendaal

Tel +31 (0)318 51.99.00

Fax +31 (0)318 50.80.20

E-mail info@movexx.nl