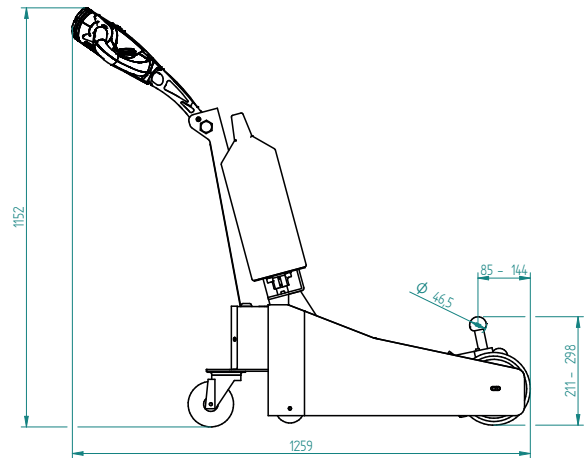
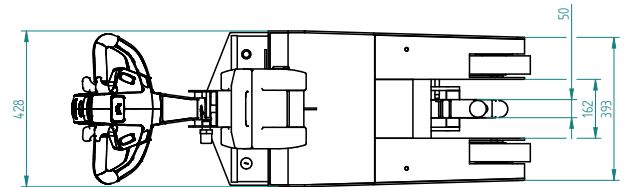




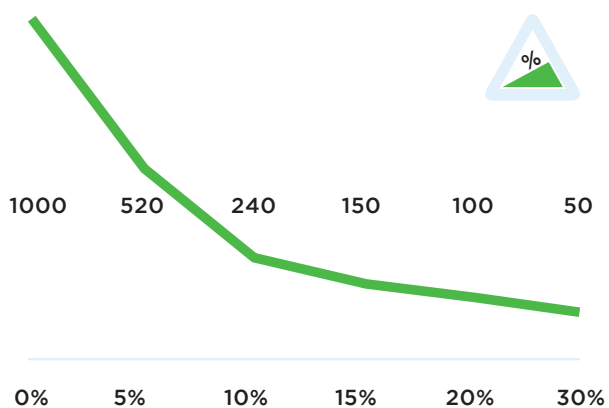
## Specifications T1000-P

Frame	Steel, powder coated
Drive	24V DC, 300W, 100 rpm
Weight	154kg
Weight trailer	Max. 1000 kg
Battery	Exchangable batterypack
Speed	Max. 3,8 km/h, freely programmable
Drive wheels	Vulcalon $\varnothing 200 \times 55$ mm
Width	423mm
Length	1278mm
Adze height	950-1146mm (variable)
Folded	950mm
Noise level	63,8 dB
To use from	-40 °C / 70 °C
Protection class	Machine IP44
Lifting capacity	600 kg
Lifting capacity	600 kg

## Dimensions T1000-P



## Pulling power T1000-P (in kg)



\*Measured with a trolley with 2 swivelwheels and 2 fixed castors. Wheel diameter: 160mm

## Standard T1000-P



## Standard parts T1000-P

Charger 24V 5A incl. charging cable



Item number:  
OPT0009

Batterie AGM 22Ah



Item number:  
OPT110

Drive wheel Ø200 B50 d20 mm



Item number:  
M0340

Adjustable tillerhead



Item number:  
Standardpart 1

Safety switch



Item number:  
Standardpart 2

2 programmable speeds



Item number:  
Standardpart 3

## Standard parts T1000-P

Motor T1000, without brake



Item number:  
M1032

LED battery indicator LBF318-24V



Item number:  
M0123

## Options T1000-P



Battery Lithium-LiFePO4,  
36Ah GREEN

Article number:  
OPT0106



Battery upgrade to Lithi-  
um-LiFePO4, 36Ah

*iso AGM Battery (!) Including  
upgrade to lithium charger  
10A*

Article number:  
OPT0107



Batterie AGM 22Ah

Article number:  
OPT0110



Horn 90dB

Article number:  
OPT0045



Emergency stop complete

Article number:  
OPT0063



Strobelight cast iron tiller  
head

Article number:  
OPT0076



Acoustic signal driving  
backwards

Article number:  
OPT0254



hour counter complete

Article number:  
OPT0056



Antistatic strip

Article number:  
OPT0058



Code lock

Article number:  
OPT0068



Document holder

Article number:  
OPT0127



Ignition key unequal key

Article number:  
OPT0145

## Options T1000-P

Ignition key equal key 701



Article number:  
OPT0146

Customized programming



*please indicate specific settings*

Article number:  
OPT0170

Programmer for Italsea



Article number:  
D0003

Wall mounted Charger, for AGM battery



*Complete charger-unit Including AGM battery charger (5 Ah)*

Article number:  
OPT0015

Charging Station for 1 Lithium battery



*Wallmounting chargerstation with lithium battery charger 29,2 V, 10 A*

Article number:  
OPT0023

Charging station for 5 Lithium batteries



Article number:  
OPT0029

Charging station for 5 batteries



*Upright standing charging station with five separate AGM battery chargers 24 V, 5 A*

Article number:  
OPT0039

Upgrade to charging station



Article number:  
OPT0261

Movexx Parking label



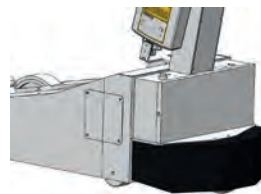
Article number:  
OPT0245

Ball, height: 60mm for T1000-P



Article number:  
OPT0183

Safety fender castor T1000-P



Article number:  
OPT0212

50 mm higher ball T2500-P



Article number:  
OPT0215

## Options T1000-P



Tow Ball Ø 45mm L =  
155mm T1000-P

Article number:  
OPT0224

---



Plastic bumper strips side  
T1000-P

Article number:  
OPT0229

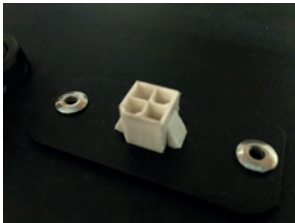
---



Slow speed with load  
T1000-P

Article number:  
OPT0230

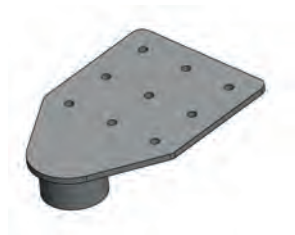
---



Diagnostic connector

Article number:  
OPT0270

---



Screw tube for T1000-P +  
T2500-P

Article number:  
OPT0301

---



## Movexx International B.V.

Generatorstraat 17

3903 LH Veenendaal

Tel +31 (0)318 51.99.00

Fax +31 (0)318 50.80.20

E-mail [info@movexx.nl](mailto:info@movexx.nl)