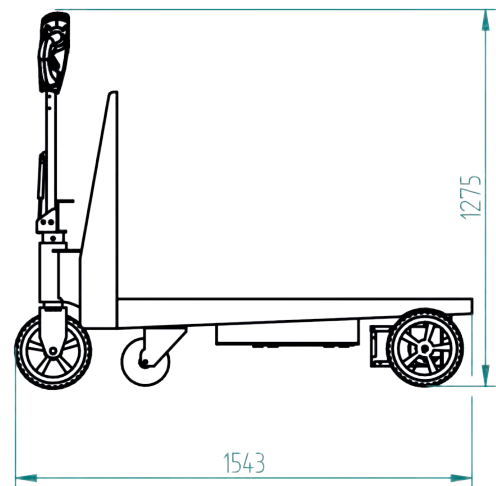
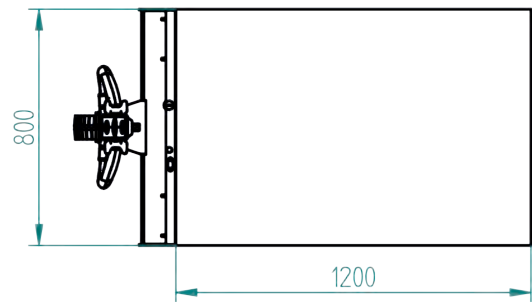




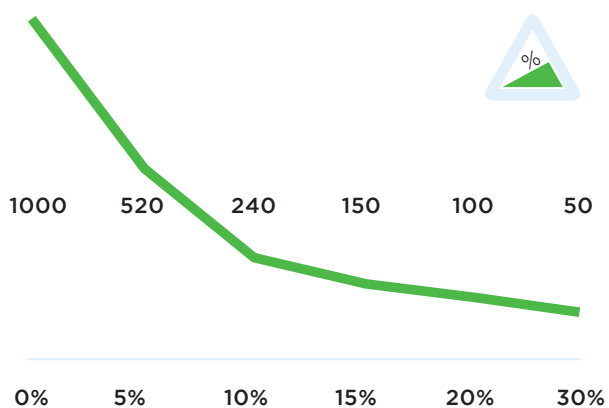
Specifications P300 800 x 1200

Frame	Steel, powder coated
Drive	24V DC, 300W, 100 rpm
Weight	115 kg
Loading capacity	750 kg
Battery	Built in
Speed	Max. 5 km/h
Drive wheels	Full rubber $\varnothing 250 \times 80$ mm
Width	800mm
Length	1543mm
Adze height	700-1275mm
Folded	N/A
Noise level	63,8 dB
To use from	-40 °C / 70 °C
Protection class	Machine IP44

Dimensions P300 800 x 1200



Pulling power P300 800 x 1200 (in kg)



**Measured with a trolley with 2 swivelwheels and 2 fixed castors. Wheel diameter: 160mm*

Standard P300 800 x 1200



Standard parts P300 800 x 1200

LED battery indicator
LBF318-24V



Item number:
M0123

Charger 24V 5A incl. charging cable



Item number:
OPT009

Full-rubber drive wheel, black Ø250mm



Dimensions Ø250 x 80 mm

Item number:
M0248

Adjustable tillerhead



Item number:
Standardpart 1

Standard parts P300 800 x 1200

Motor T1000, without brake



Item number:
M1032

Safety switch



Item number:
Standardpart 2

Battery 12V 22 Ah AGM



Item number:
M0076

2 programmable speeds



Item number:
Standardpart 3

Options P300 800 x 1200



Battery charger 24V 5A
AGM external indi

Article number:
M0246



Battery Lithium-LiFePO4,
36Ah GREEN

Article number:
OPT0106



Battery upgrade to Lithium-LiFePO4, 36Ah

*iso AGM Battery (!) Including
upgrade to lithium charger
10A*

Article number:
OPT0107



Batterie AGM 22Ah

Article number:
OPT0110



Upgrade Nonmarking
tires (3) yellow CR

Article number:
OPT0356



Upgrade Nonmarking
tires (3) grey

Article number:
OPT0358



Electromagnetic parking-
brake T1000

Article number:
OPT0004



Horn 90dB

Article number:
OPT0045



Emergency stop complete

Article number:
OPT0063



Strobelight

Article number:
OPT0065



Safety fender for steering
wheel

Wheel Shield

Article number:
OPT0079



Acoustic signal driving
backwards

Article number:
OPT0254

Options P300 800 x 1200

hour counter complete



Article number:
OPT0056

Antistatic strip



Article number:
OPT0058

Code lock



Article number:
OPT0068

Ignition key unequal key



Article number:
OPT0145

Ignition key equal key 701



Article number:
OPT0146

Customized programming



please indicate specific settings

Article number:
OPT0170

Programmer for Italsea



Article number:
D0003

Wall mounted Charger, for AGM battery



Complete charger-unit Including AGM battery charger (5 Ah)

Article number:
OPT0015

Charging Station for 1 Lithium battery



Wallmounting chargerstation with lithium battery charger 29,2 V, 10 A

Article number:
OPT0023

Charging station for 5 Lithium batteries



Article number:
OPT0029

Charging station for 5 batteries



Upright standing charging station with five separate AGM battery chargers 24 V, 5 A

Article number:
OPT0039

Upgrade to charging station



Article number:
OPT0261

Options P300 800 x 1200



Pen for Drawbar Ø16 incl.
Backplate

Article number:
H0064



Towbar + pin Ø15mm incl.
Back plate

Article number:
H0071



Movexx Parking label

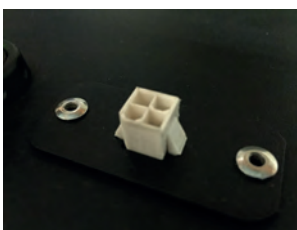
Article number:
OPT0245



Spring hitch 16 mm

Pin 16 mm.

Article number:
H0120



Diagnostic connector

Article number:
OPT0270



Movexx International B.V.

Generatorstraat 17

3903 LH Veenendaal

Tel +31 (0)318 51.99.00

Fax +31 (0)318 50.80.20

E-mail info@movexx.nl