

moveXX
driven by brain power



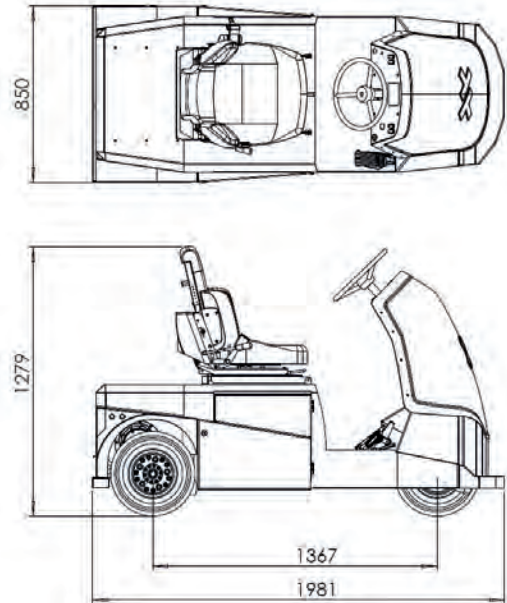
DATASHEET
Movexx BT4000
2018



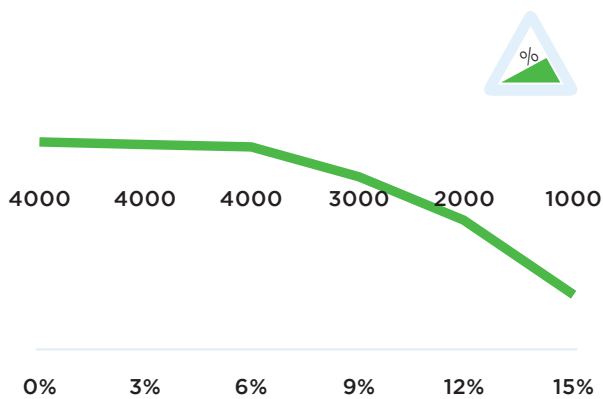
Specifications BT4000

Technical Details	.
Motor	3000W, AC
Battery	24V,300Ah/5h (Not included)
Charger	Fronius 24V, 32Ah (not included)
Tyre Size	4.00-8 Full Rubber
Speed	MAX 16km/h (adjustable)
MAX Drawbar pull	4500N
Dimensions	.
Length	1981
Width	850
Weight	680KG
Turning radius	1865
Step Height	275mm
Ground Clearance	100mm
Standard Features	.
Suspention	Shock Absorbers / Coil Springs
Operational brakes	Disk brakes
Battery	Exchangeble traction Battery

Dimensions BT4000



Pulling power BT4000 (in kg)

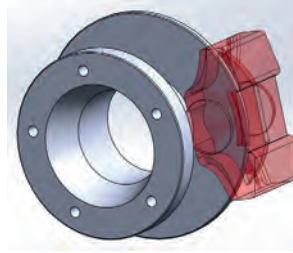


**Measured with a trolley with 2 swivelwheels and 2 fixed castors. Wheel diameter: 160mm*

Standard BT4000



Standard parts BT4000



Disk Brake

Item number:
M2866



Shock absorber

Item number:
M2873



Document holder integrated in frame

Item number:
OPT0317

El. Magn Parking Brake



Item number:
OPT0319

Standard parts BT4000

Ignition key unequal key



Item number:
OPT0145

Emergency Button NC Ø 22 mm incl. Cable



Item number:
M0130

Killswitch on chair



Item number:
OPT0320

Options BT4000

Strobelight



Article number:
OPT0120

Blue Safety spot



Article number:
OPT0251

Acoustic signal while driving



Article number:
OPT0253

Acoustic signal driving backwards



Article number:
OPT0254

Antistatic strip



Article number:
OPT0058

Code lock



Article number:
OPT0068

Ignition key equal key 701



Article number:
OPT0146

Customized programming



please indicate specific settings

Article number:
OPT0170

U-Frame for waste container 1000/1100L



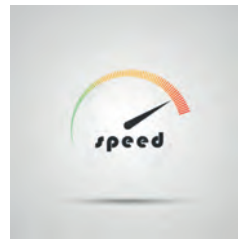
Article number:
OPT0088

Movexx Parking label



Article number:
OPT0245

Automatic slow speed in corner



Article number:
OPT0283

Option control panel rear left side



Article number:
OPT0284

Options BT4000



Option control panel rear right side

Article number:
OPT0285



Option advanced display

Article number:
OPT0286



Lift kit 4cm for seat BIG-TRUXX

Article number:
OPT0287



Luxury chair with rail and sit contact

Article number:
OPT0288



2 Programable Speeds

Article number:
OPT0289



LED Lights front and rear BIGTRUXX

Article number:
OPT0290



LED Lights rear BIGTRUXX

Article number:
OPT0291



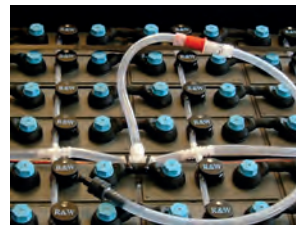
Work Lamp for BIGTRUXX

Article number:
OPT0292



7-pin trailer plug for BIG-TRUXX

Article number:
OPT0293



Automatic filing system Battery BIGTRUXX

Article number:
OPT0294



Roll system for easy loading Battery

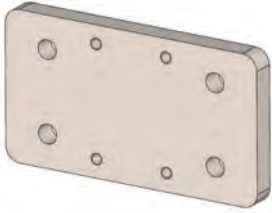
Article number:
OPT0311



Automatic trailer coupling Ø25m

Article number:
OPT0312

Options BT4000



adapter plate for standard hook BIGTRUXX

Article number:
OPT0313



Battery liquid indicator

Article number:
OPT0314



USB Sharger for phone & tablet

Article number:
OPT0315



Traction battery (24 Volt - 300 Ah/5h)

Article number:
OPT0365



Battery charger 24E32

Article number:
OPT0366



Reversing light BIGTRUXX

Article number:
OPT0425



Movexx International B.V.

Generatorstraat 17

3903 LH Veenendaal

Tel +31 (0)318 51.99.00

Fax +31 (0)318 50.80.20

E-mail info@movexx.nl